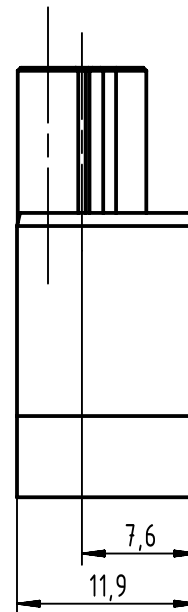
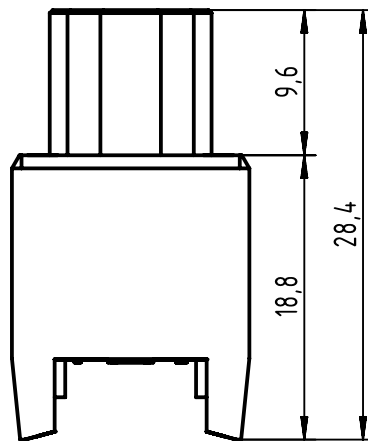
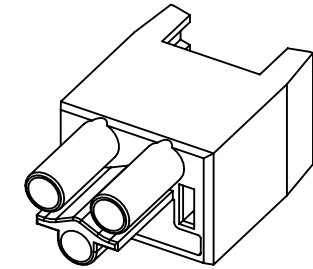
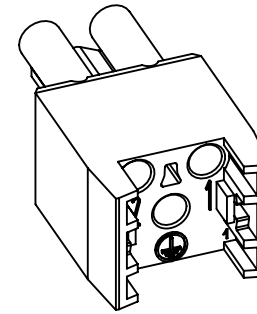


Usable with HARTING PushPull (V4) receptacle housing
(please order separately):

09455450042



Usable crimp contacts (please order separately):

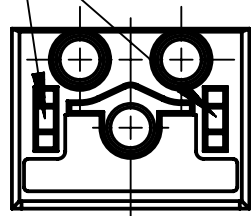
-3x female crimp contacts 09 46 500 0404 0.75mm² (AWG 20)

-3x female crimp contacts 09 46 500 0408 1.0mm² (AWG 18)


-3x female crimp contacts 09 46 500 0402 1.5mm² (AWG 16-14)

-3x female crimp contacts 09 46 500 0406 2.5mm² (AWG 12)

slot for coding pin
0946 840 0000



further information see product data sheet

	All rights reserved Department EL PD	All Dimensions in mm Original Size DIN A4		Scale 2:1	Free size tol.		Ref.	
		Created by ZWAHR	Inspected by ELLERMANN	Standardisation SAP_WFRT	Date 2022-01-25	State Final Release		
HARTING D-32339 Espelkamp		Title HPP V4 Power insert crimp 250V/16A 3p					Doc-Key / ECM-Nr. 100216691/UGD/003/E 500000210314	
		Type TB	Number 09465003401			Rev. E	Page 1/1	